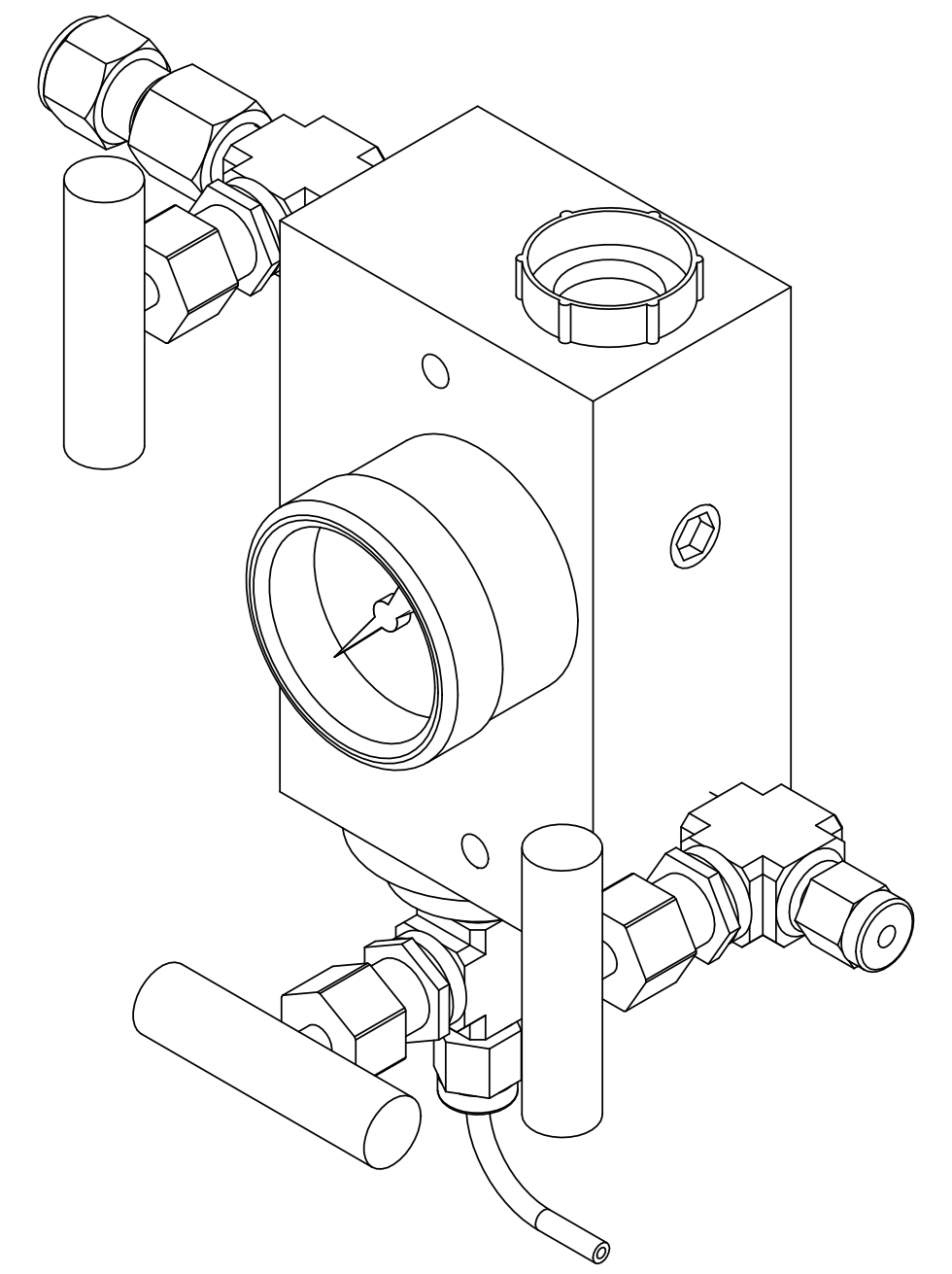
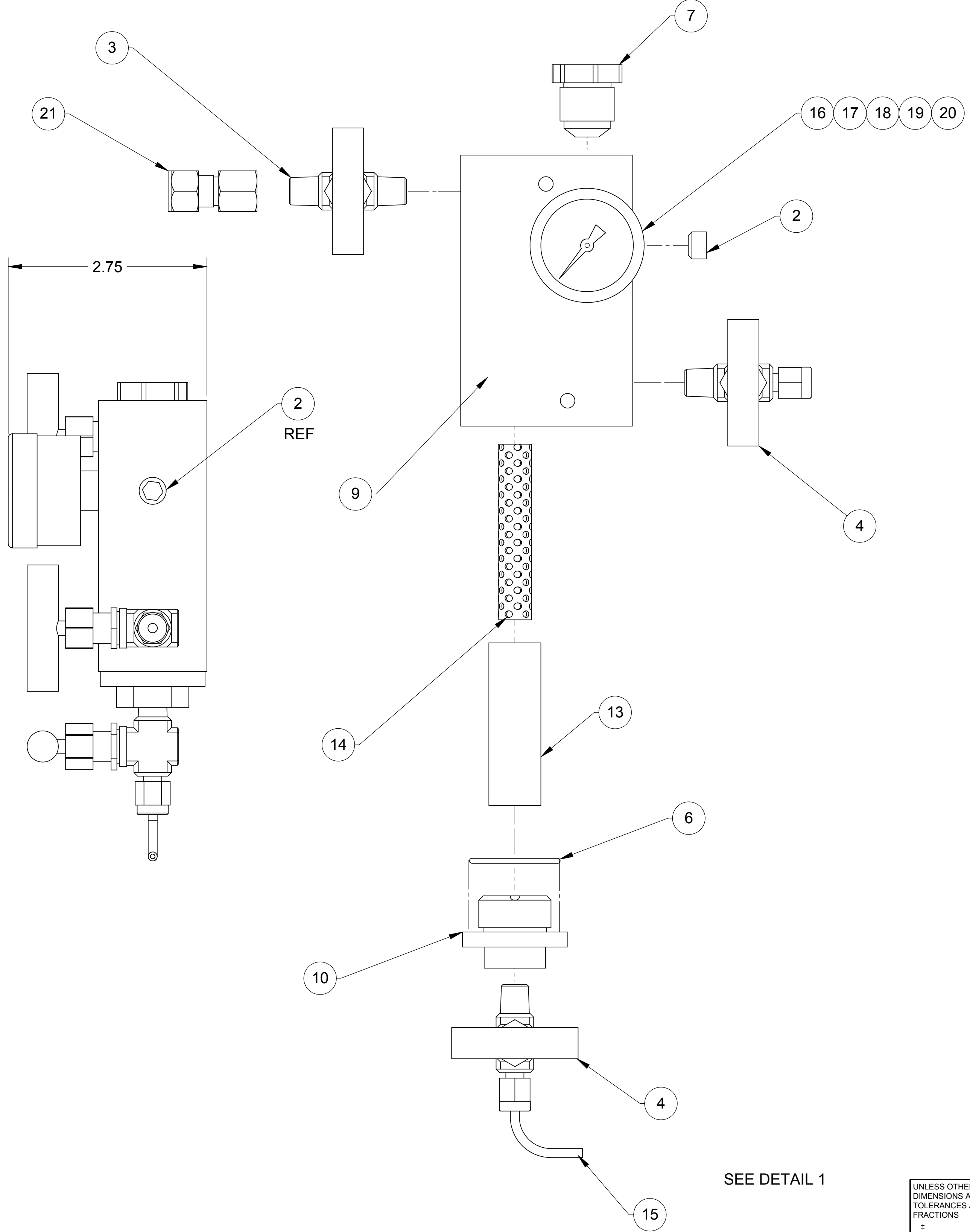
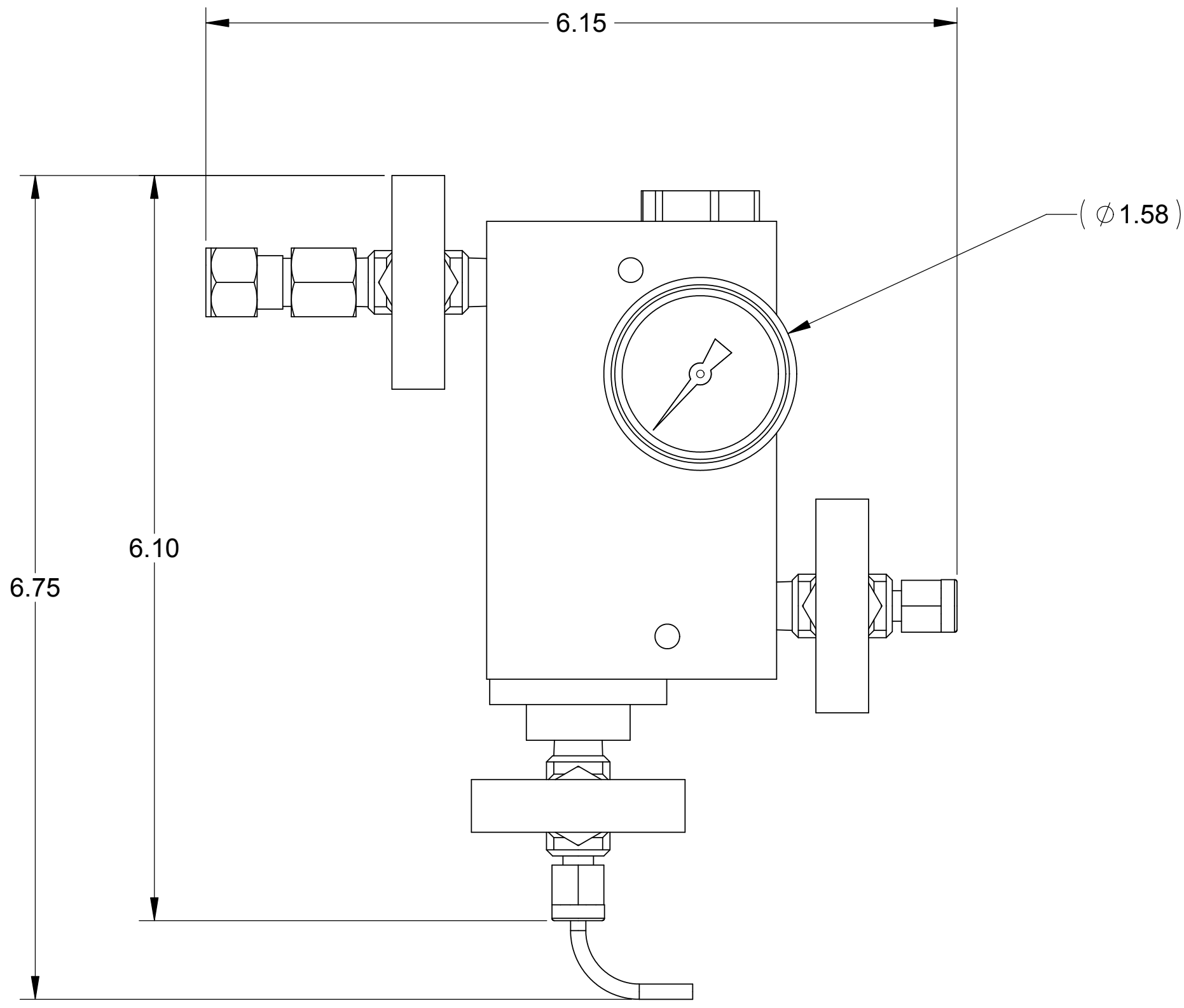
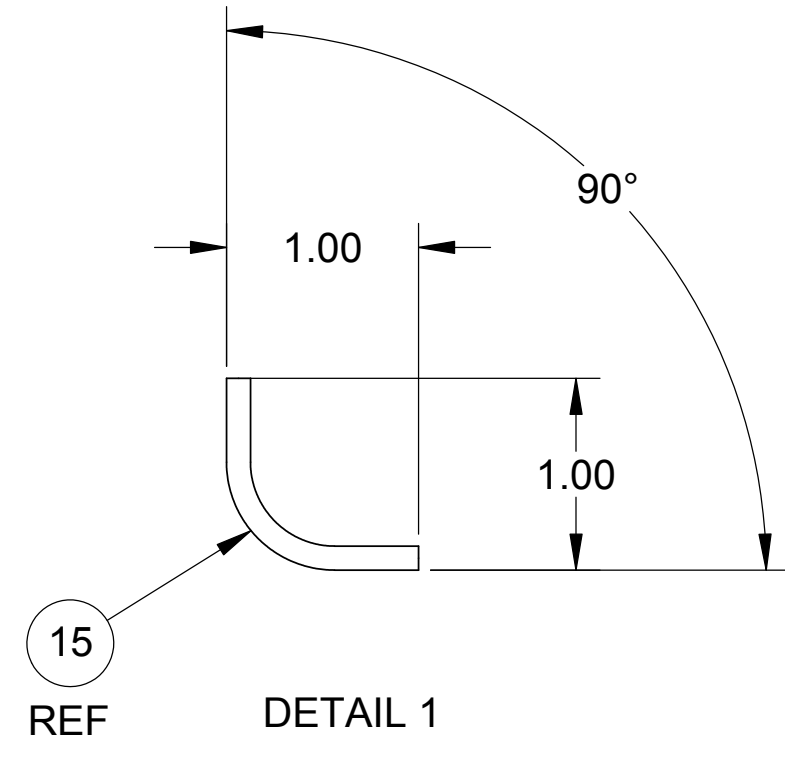


REVISIONS					
REV	ECO	DESCRIPTIONS	DWN	CKD	APVD
B	05149	REPLACED FORMAT & UPDATED PER ECO	DMS 11/24/03		



- NOTES:
- ALL PIPE THREADS TO BE SEALED USING PTFE THREAD SEALER.
 - ALL DIMENSIONS FOR REF. ONLY

SEE DETAIL 1

UNLESS OTHERWISE SPECIFIED DIMENSIONS ARE IN INCHES TOLERANCES ARE: FRACTIONS ± .005 DECIMALS ± .01 ANGLES ± .1 SURFACE FINISH ✓	 THIRD ANGLE PROJECTION	GE Panametrics		TITLE	
		DRAWN 8/14/02 APP'D 11/12/02 D STEARNS G TSOPELAS		SAMPLE SYSTEM PM880	
© COPYRIGHT 1997 GENERAL ELECTRIC CO. PROPRIETARY INFORMATION - THIS DRAWING CONTAINS PROPRIETARY INFORMATION OF GENERAL ELECTRIC CO. AND MAY NOT BE WITH THE WRITTEN PERMISSION OF GENERAL ELECTRIC CO.	CHECKED 11/13/02 J GUARNIERI	QC N/A SALES N/A	N/A N/A	SIZE D	DRAWING NUMBER 733-058
MODEL NO. PM880	SCALE 1:1	DO NOT SCALE DWG	SHEET 1 OF 1	REV B	



PANAMETRICS Bill of Materials

221 Crescent Street, Waltham, MA 02154-3497 USA (781) 899-2719

BM #: 733-058

Rev: D

Model: PM880

Drawn by: D STEARNS

Checked: JG

Approved: GTS

Release No: 6017

Date Printed: 03/24/2004

Title: SAMPLE SYSTEM

Sheet 1 of ____

BM # 733-058

STANDARD

Item No	Size	Part Number	Description	Smd Code	Ref Des or Notes	Qty	Ref
1	D	733-058	SAMPLE SYSTEM PM880				REF
2	A	255-165	PIPE PLUG 1/8NPTF 316SS			1	
3	A	460-025	VALVE NEEDLE 1/8NPTM:1/8NPTM		SS-ORM2-BKB	1	
4	A	460-024	VALVE NEEDLE 1/8NPTM:1/8 COMP		SS-ORM2-S2-BKB	2	
5							
6	TH	410-496	O-RING 1.114ID 0.070		AS 568A-024 70VT	1	
7	A	410-485	CAP PLUG RED 3/4-16X1/2"		PD80	1	
8							
9	C	421-1466	HOUSING SAMPLE SYSTEM			1	
10	C	421-1468	PLUG SAMPLE SYSTEM			1	
11							
12							
13	A	463-001	FILTER COALESCENT GAS/LIQUID		HO4119	1	
14	A	463-002	FILTER SUPPORT CORE		SS-050-11	1	
15	3	403-084	TUBING 1/8		2"		REF
16	A	443-046-01	GAUGE PRESS 0:300 SS		1 IF B = 1		
17	A	443-046-02	GAUGE PRESS 0:600 SS		1 IF B = 2		
18	A	443-046-03	GAUGE PRESS 0:1000 SS		1 IF B = 0		
19	A	443-046-04	GAUGE PRESS 0:2000 SS		1 IF B = 3		
20	A	443-046-05	GAUGE PRESS 0:3000 SS		1 IF B = 4		
21	A	255-206-01	TUBE FIT COMP 1/4:1/8NPTF SS		SS-400-7-2	1	

A REL/ECO GTS 11/13/02
 B 04731 GTS 2/7/03
 C 04744 GT 3/10/03
 D 05149



PM880



PANAMETRICS
221 Crescent Street
Waltham, Ma. 02453

MODEL NO.

PM880

SHEET
2 OF 2

DRAWING NO.

BM733-058 Rev D

Model Number

BILL OF MATERIAL

BM No: 733-058

Rev: D

SAMPLE SYSTEM OPTION STRING

A - B - C - D - E

A = MODEL

SS880A

B = PRESSURE GAGE

- 0. 0-1000 PSIG
- 1. 0-300 PSIG
- 2. 0-600 PSIG
- 3. 0-2000 PSIG
- 4. 0-3000 PSIG

C = INLET PRESSURE REGULATOR

- 0. None
- 1. 0-500 psig (Outlet)

D = ROTAMETER

- 0. None
- 1. 1.3-13 SCFH

E = MISCELLANEOUS

- 0. No Option
- S. Special Option (customer/AE to describe)